

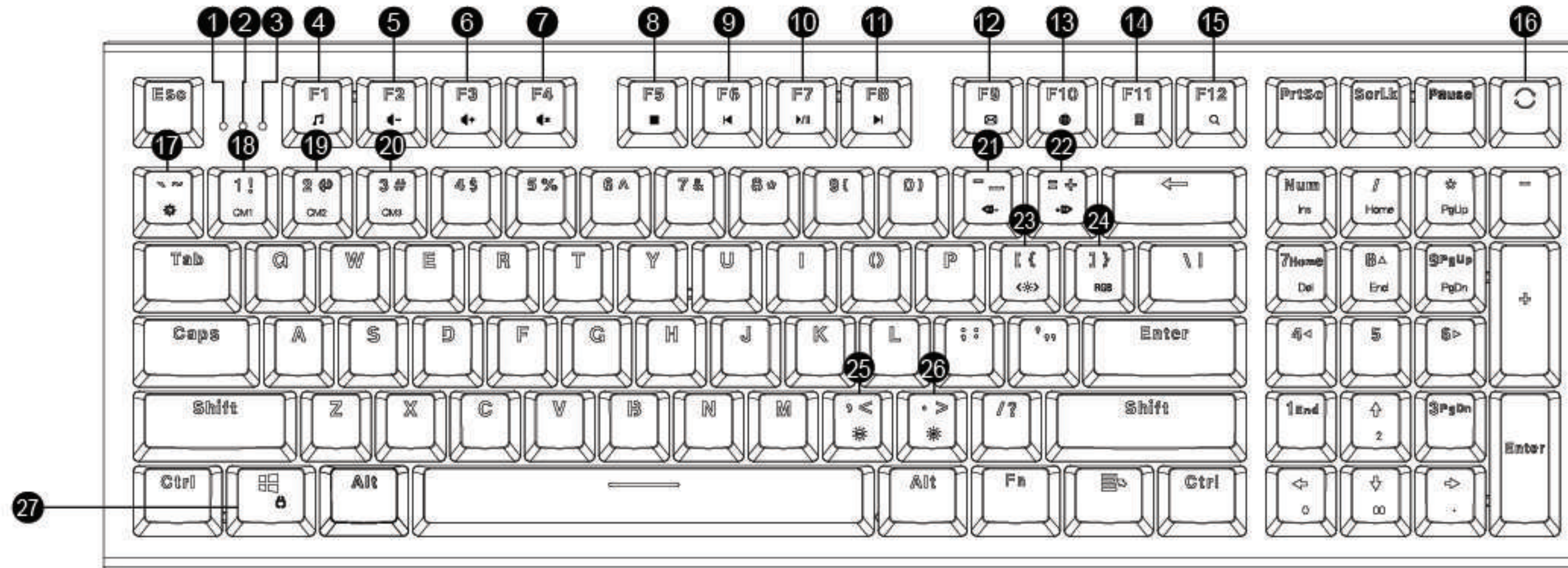


PHANTOM 96

BACKLIT MECHANICAL KEYBOARD

Quick Start Guide

Key Features



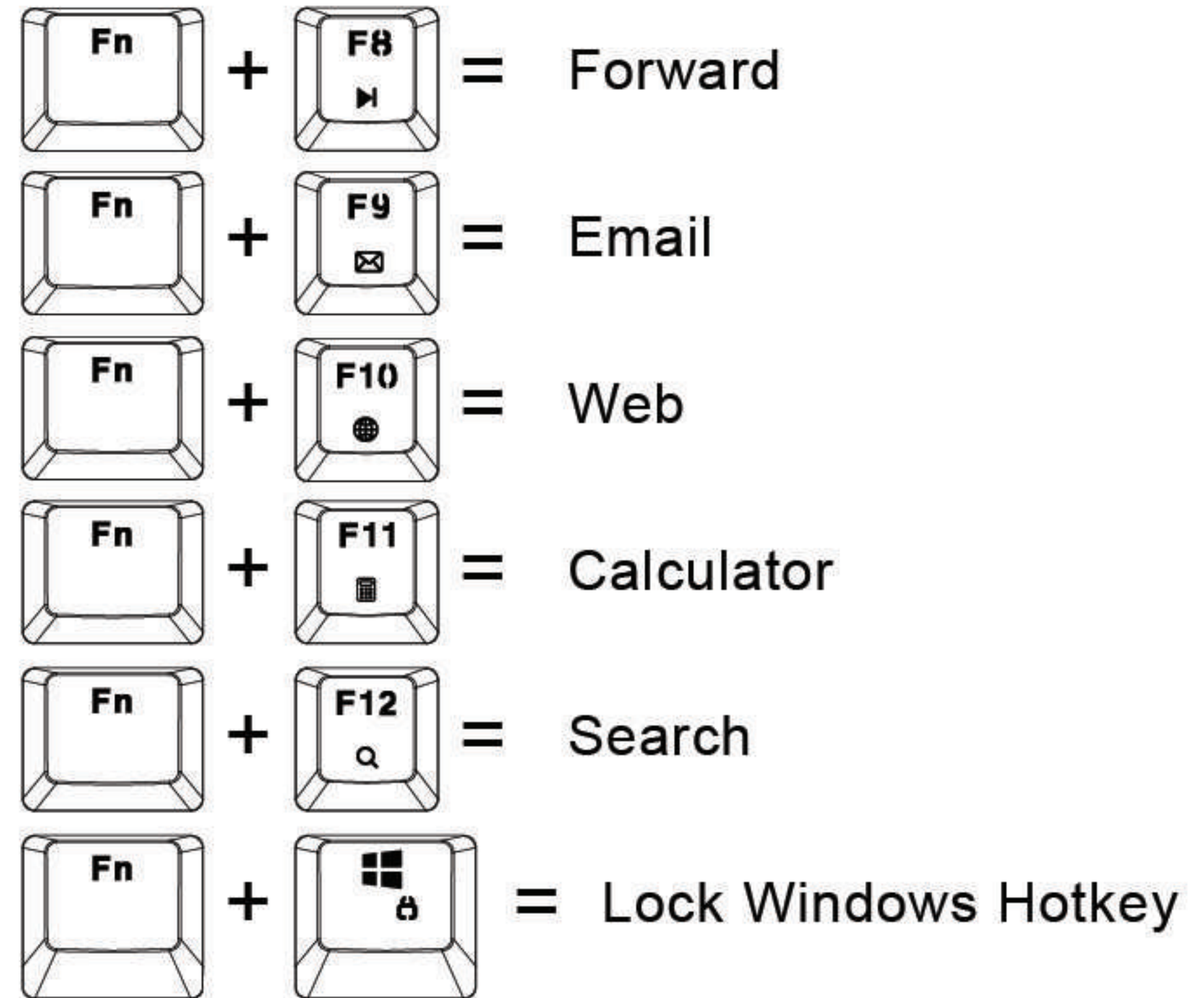
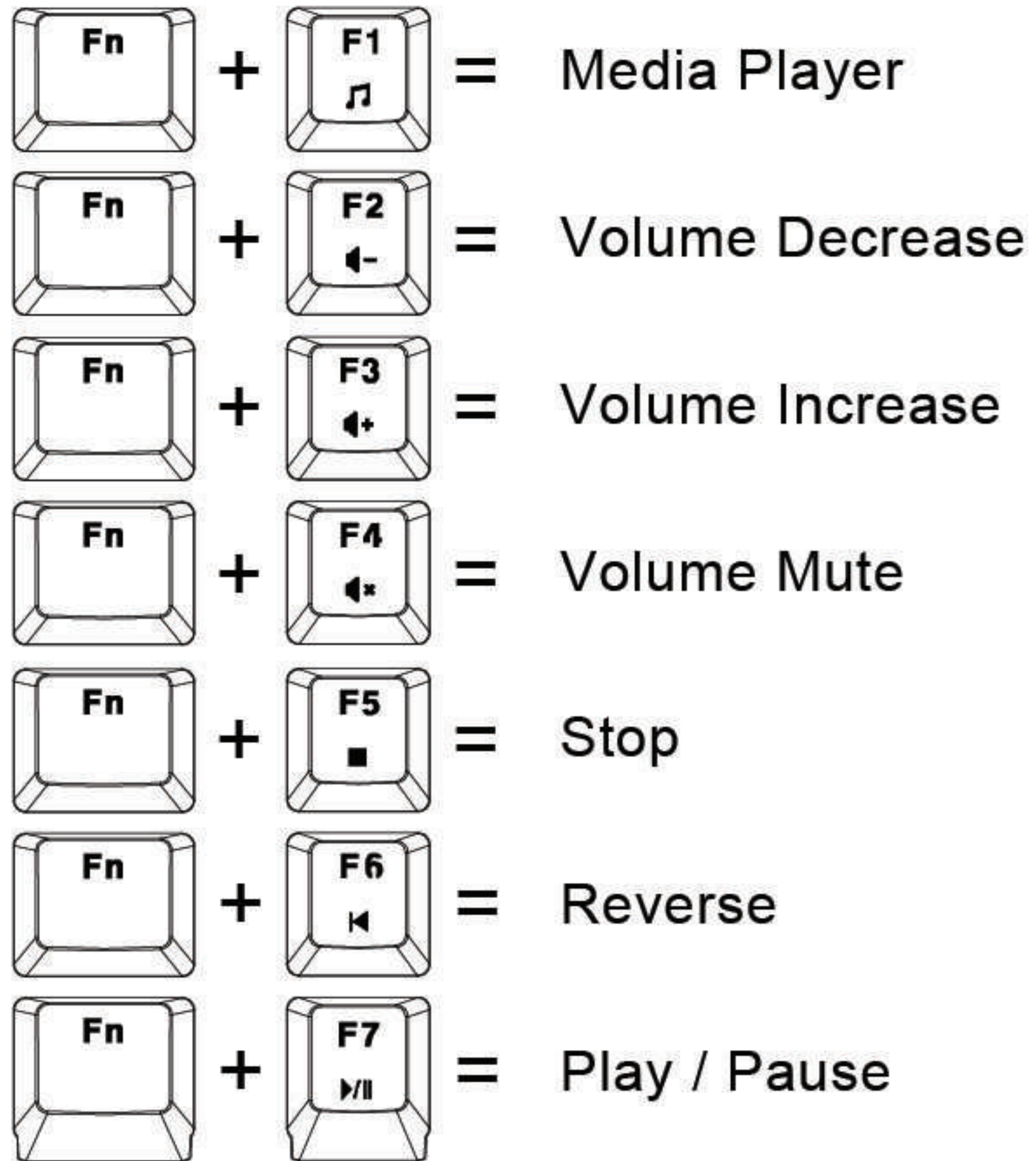
- ① Num Lock Indicator
- ② Caps Lock Indicator
- ③ Scroll Lock Indicator
- ④ Media Player
- ⑤ Volume Decrease
- ⑥ Volume Increase
- ⑦ Volume Mute

- ⑧ Stop
- ⑨ Reverse
- ⑩ Play / Pause
- ⑪ Forward
- ⑫ Email
- ⑬ Web
- ⑭ Calculator

- ⑮ Search
- ⑯ Toggle Numpad / TKL Mode
- ⑰ Record Light Settings
- ⑱ Custom Mode 1
- ⑲ Custom Mode 2
- ⑳ Custom Mode 3
- ㉑ LED Lighting Speed Decrease

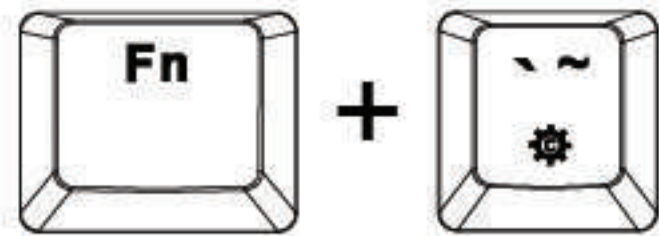
- ㉒ LED Lighting Speed Increase
- ㉓ Toggle LED Direction
- ㉔ Toggle Fixed Color
- ㉕ Brightness Decrease
- ㉖ Brightness Increase
- ㉗ Windows Lock

Multimedia Function Keys

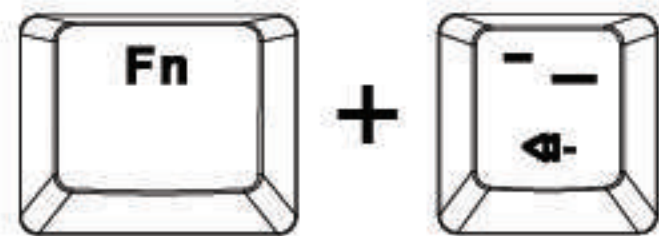


LED Settings

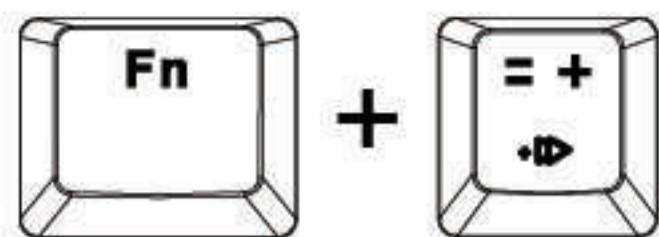
Custom Lighting Mode



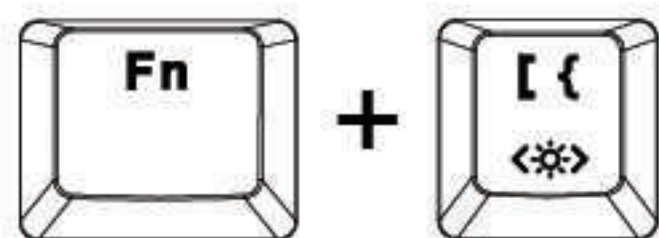
LED Lighting Speed Decrease



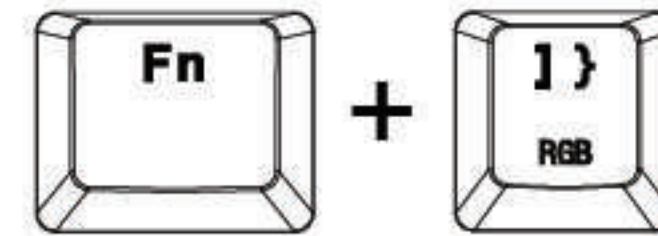
LED Lighting Speed Increase



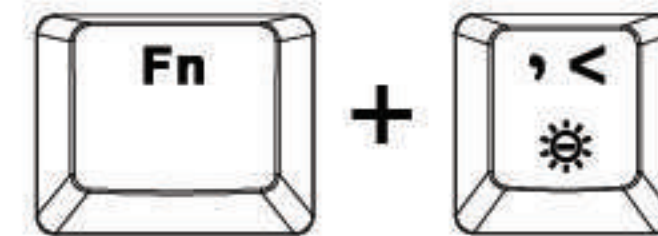
Toggle LED Direction



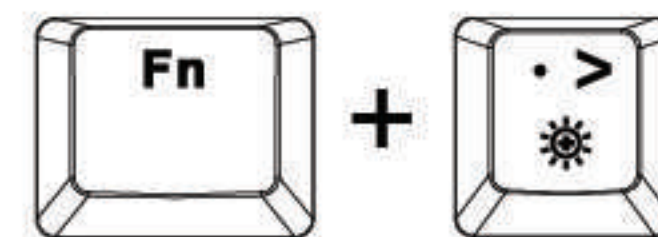
Toggle Fixed Color



LED Lighting Brightness Decrease

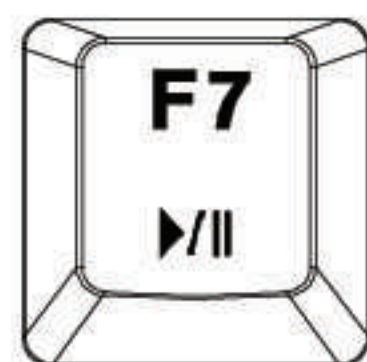
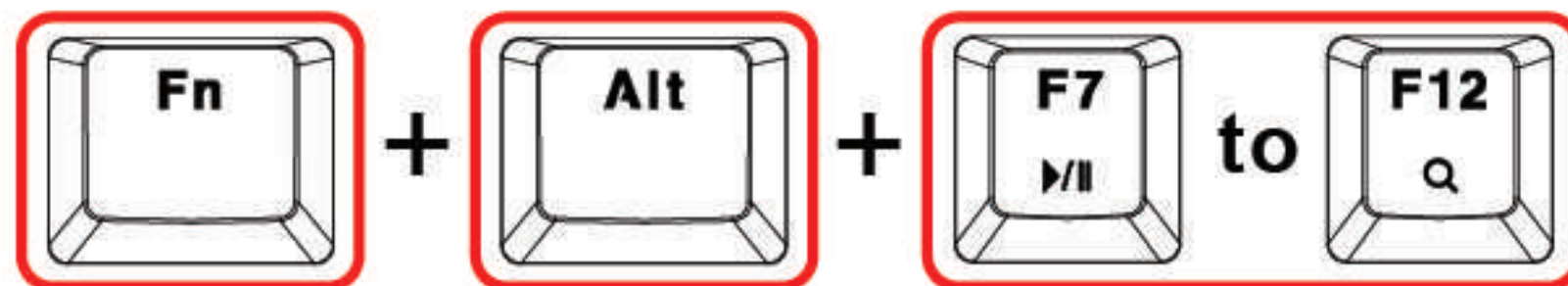


LED Lighting Brightness Increase

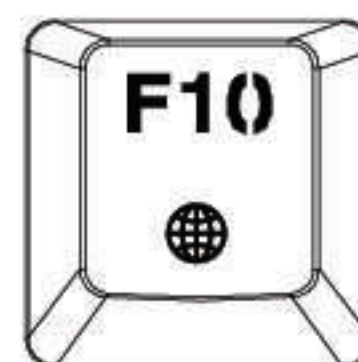


Various LED modes can be triggered by

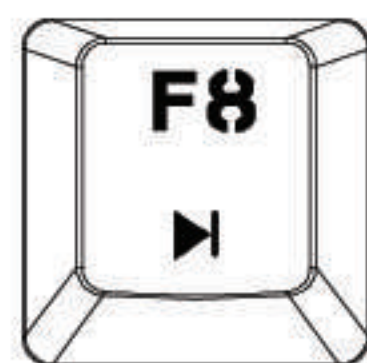
**Fn + Alt + Mode Keys:
(F7 to F12)**



- ① Breathing - Cycle Color
- ② Breathing - Fixed Color
- ③ Fixed Color



- ① Horizontal Wave
- ② Pulse Wave
- ③ Hurricane



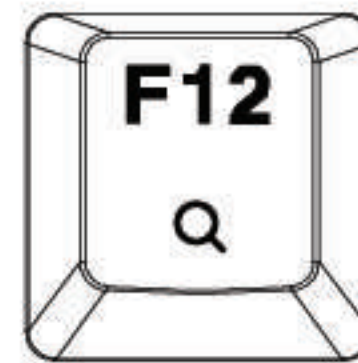
- ① Reactive - Ripple
- ② Reactive - Single
- ③ Reactive - Horizontal



- ① Vertical Wave
- ② Waterfall
- ③ Swirl



- ① Sine Wave
- ② Vortex
- ③ Rain Drops



- ① Diagonal Wave
- ② Fixed Color - Intensity
- ③ Ripple

Custom Mode (Edit Individual Keys)

How to set custom LED colors per key:

STEP 1 : Press **Fn + 1 / 2 / 3** to load a Custom Mode.

STEP 2 : Press **Fn + ~** to enter Edit mode.

STEP 3 : Press on any key to set its color.

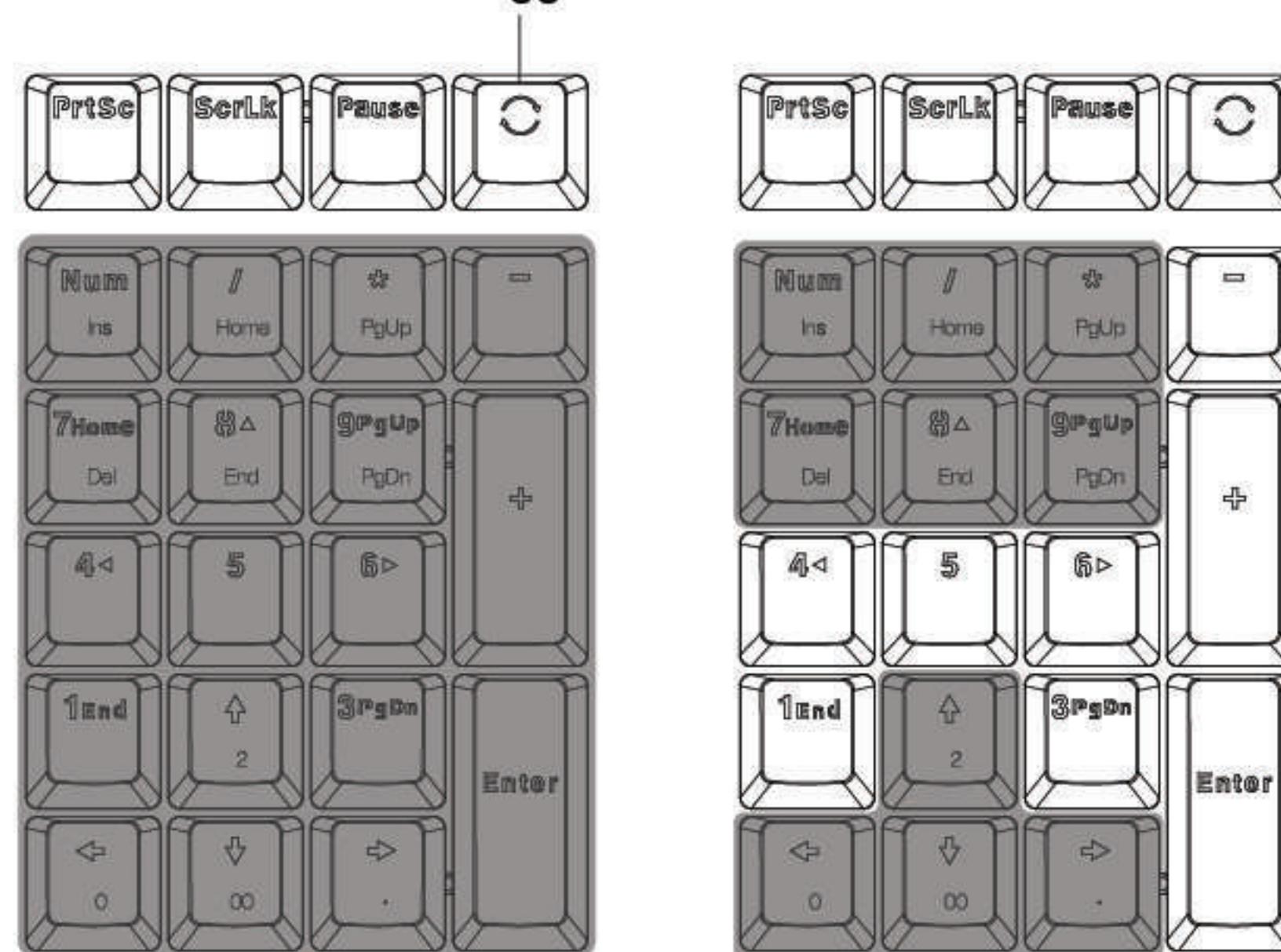
STEP 4 : Press **Fn + ~** to exit and save changes.

Note: Custom LED Mode can also be accessed via the Phantom 96 Software. Download it at www.tecware.co/software (not compatible with Mac OS/Linux).

Numpad and TKL Mode

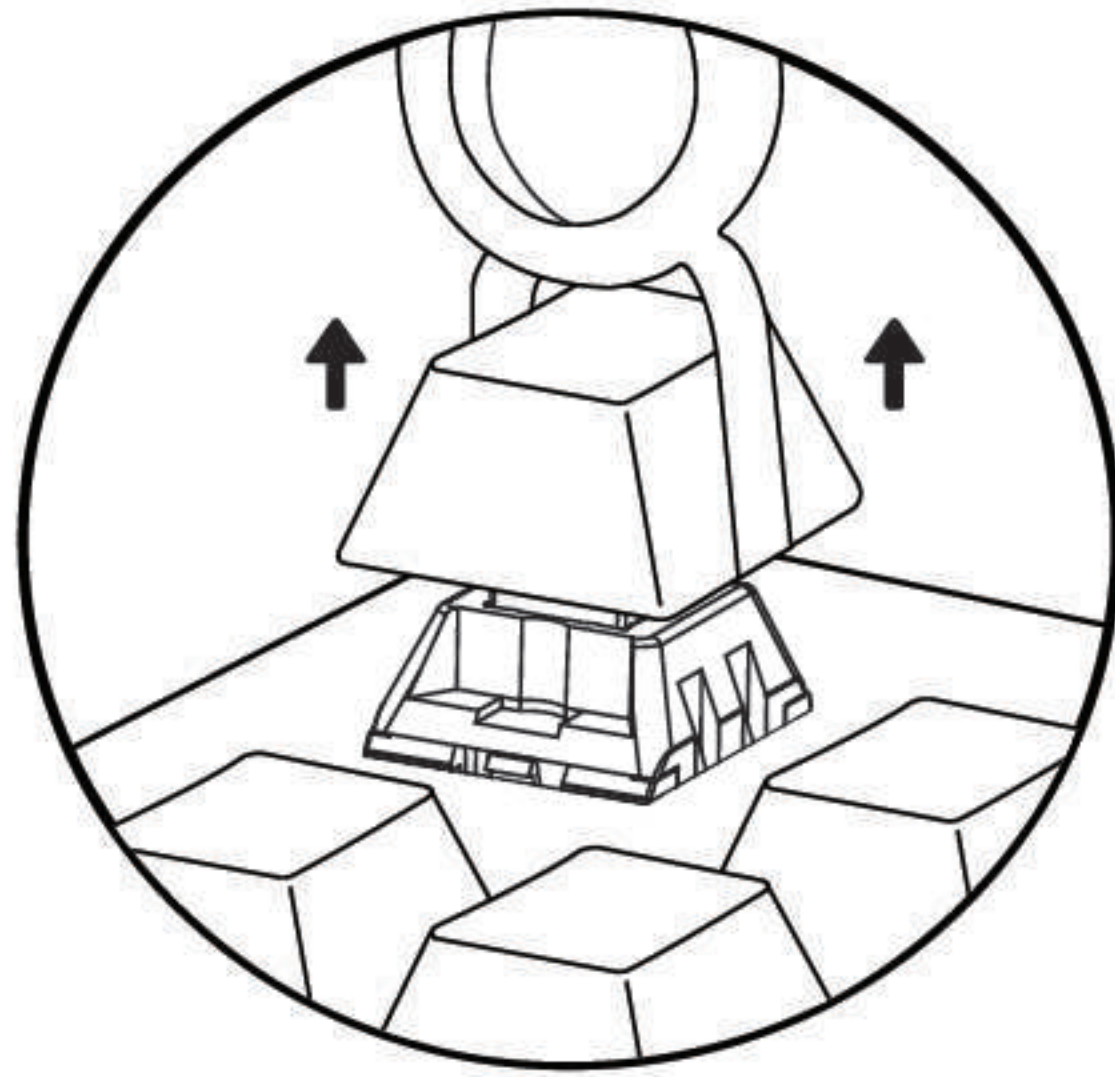
Toggle between Numpad or TKL mode.

Press to toggle modes



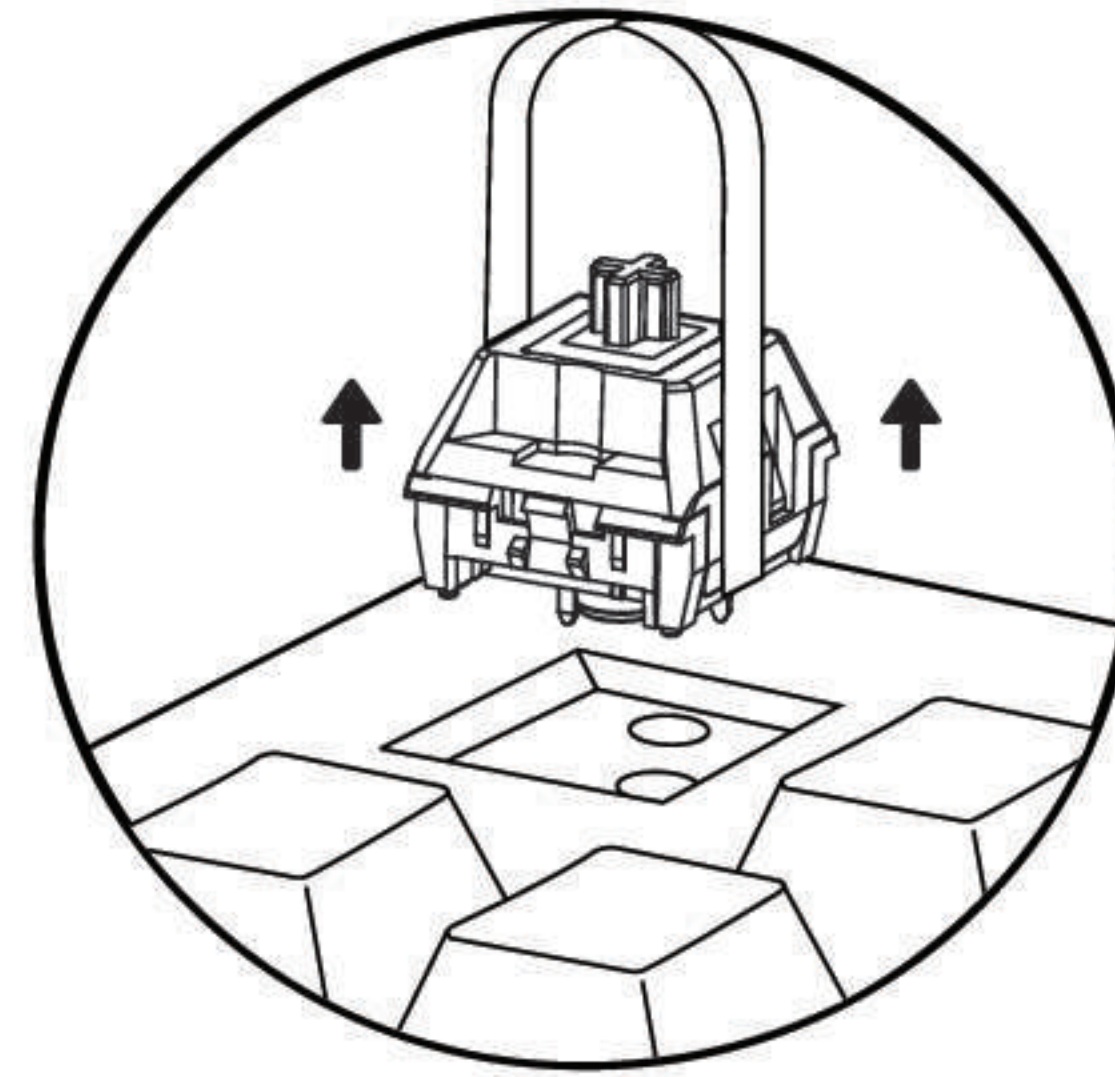
Numpad Mode

TKL Mode



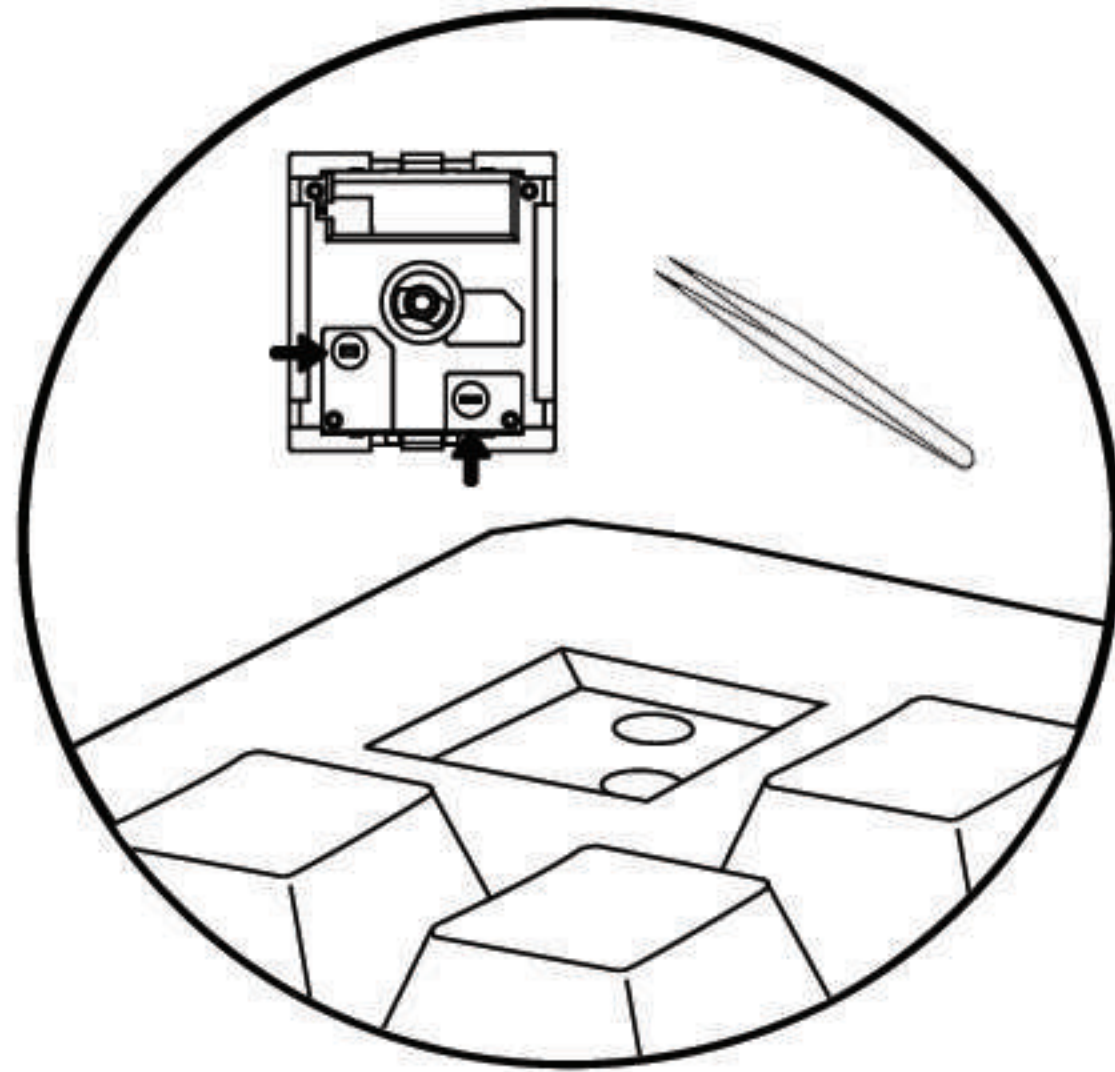
STEP 1 : Keycap Removal

Use the supplied keycap puller and press down on to the keycap to secure the puller on it. Pull the keycap puller directly upwards to remove the keycap. If the switch is removed as well, simply pull the keycap off the switch and just reattach the switch on to the keyboard.



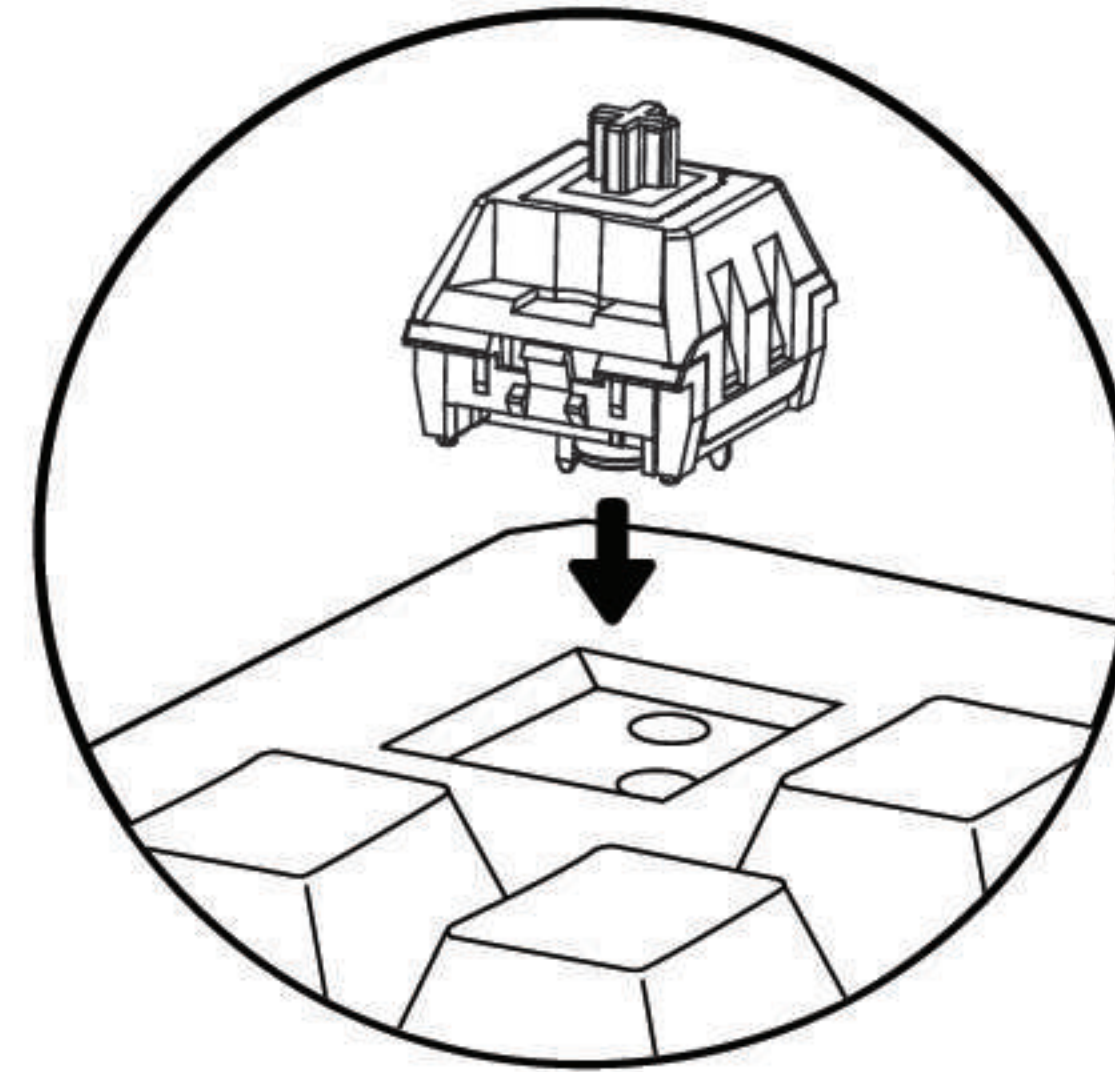
STEP 2 : Switch Removal

Rotate the switch puller too to a vertical position to coincide with the switch locks located at the top and bottom of each switch. Push the switch locks in and pull the switch puller directly upwards. We suggest to take extra care when removing switches so as not to bend the switch pins. Please also take extra caution so as not to scratch the keyboard's backplate.



STEP 3 : Check switch pins

Please inspect each switch to make sure the switch pins are straight before inserting them to the keyboard. Make necessary adjustments if needed as inserting them with bent switch pins may further damage the switch.



STEP 4 : Inserting a new switch.

Align the switch pins to the holes of the keyboard. The switch will snap on to place and test immediately for response.

Package Contents

- TECWARE PHANTOM 96
- Spare Mechanical Switch x 4
- Keycap Puller x 1
- USB-C to USB Cable
- Switch Puller x 1

System Requirements

- PC with USB port
- Windows 7/8/10, Mac

Installation

- Plug your TECWARE PHANTOM 96 into the USB port of your PC.
No driver installation is required for this product, the operating system should auto detect the keyboard when you plug it into your computer.

Warranty

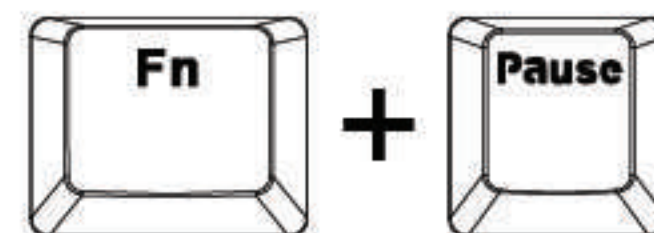
- 1 Year. Please contact your local distributor for support.

Spare Mechanical Switch Kit

There might be occasions where a mechanical switch might fail. Please refer to our website at www.tecware.co for instructions on how to easily replace the faulty switch on your keyboard.

Restoring Factory Settings

Press and hold **Fn** + **Pause** for 3~5 seconds until you see the keyboard flashing.



TECWARE

www.tecware.co