

 TECWARE

PRIME

F2716IF

IPS GAMING MONITOR

Quick Start Guide



www.tecware.co

CONTENTS

◆ Safety Precautions	p.02
◆ Package Contents	p.03
◆ Stand Installation	p.04
◆ Product Overview	p.06
◆ Connectivity Options	p.07
◆ Control Buttons	p.08
◆ On-Screen Display (OSD)	p.09
◆ OSD Menu Functions	p.10
◆ Specifications	p.12

SAFETY PRECAUTIONS

Read and observe the following warnings and information below.

1. Please disconnect the power plug before cleaning the product. It is recommended to wipe the monitor with a clean, soft and dry cloth. If using a damp cloth, kindly ensure that your monitor is dry before connecting the power plug.
2. Do not use alcohol or ammonia-based cleaning agent to clean your monitor.
3. The ventilation openings are at the back of the monitor. Avoid blocking these openings to prevent the monitor from overheating.
4. Avoid placing the monitor near any heat sources such as radiators, heating vents, or any device that produce heat as it may cause a fire.
5. Clean any dust around the pins of the power plug or the power socket with a dry cloth.
6. Do not spray cleaner or any kind of liquid directly onto the monitor's screen or any part of the monitor.
7. Do not insert any objects into the monitor, especially via the ventilation openings.
8. Always make sure your monitor is placed on a stable, secure and, leveled surface to prevent it from falling and sustaining damage.
9. Unplug your monitor during any extended periods of non-use.
10. Do not place heavy items on the monitor or monitor cables.
11. Do not attempt to disassemble or remove parts from the monitor. Any disassembly or modification not performed by an authorized technician can damage the monitor and cause possible exposure to high voltage electricity, which may lead to severe injury or death.
12. Only use the power cord provided with your product by Tecwaer. Do not use the power cord with other products as it may result in a fire or electric shock.

PACKAGE CONTENTS

A.



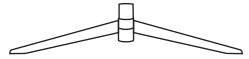
PRIME F2716IF x 1

B.



Stand Stem x 1

C.



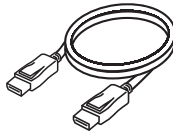
Stand Base x 1

D.



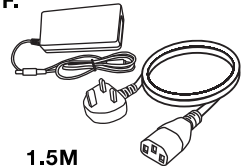
Stand Pad x 1

E.



DP Cable x 1

F.



**1.5M
Power Adapter x 1**

G.



Stand Cover x 1

H.



Screw x 2

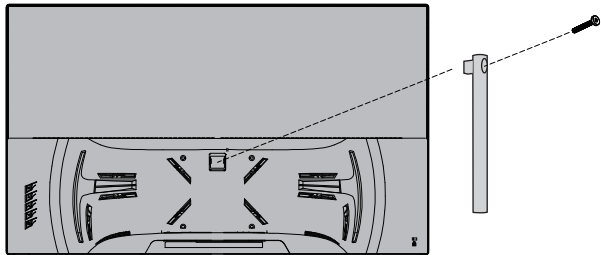
I.



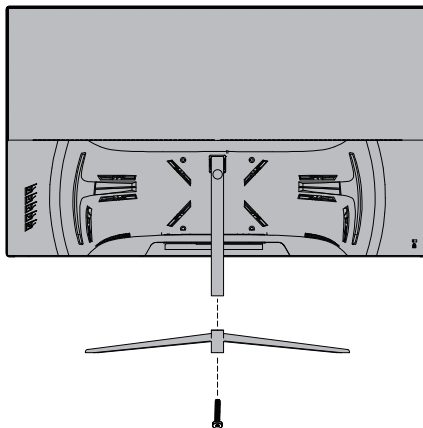
User Manual x 1

STAND INSTALLATION

1. Open the package, and take out the product with foam still attached, and gently place it on a table or leveled surface.
2. Place the monitor with the screen facing downwards on top of the foam.
3. Take out the stand stem and insert it into the corresponding slot on the back of the monitor as shown in the picture. Secure the stand onto the monitor with the screw provided.

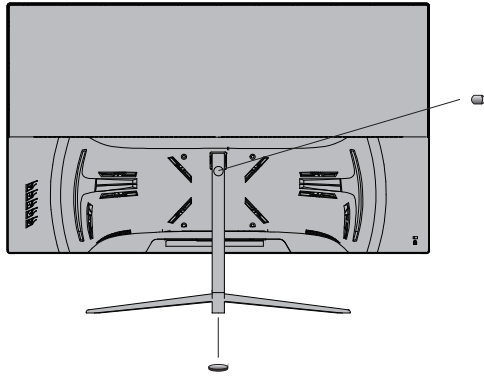


4. Take out the stand base and insert into the bottom of the stand stem as shown in the picture. Secure the bottom with the screw provided.

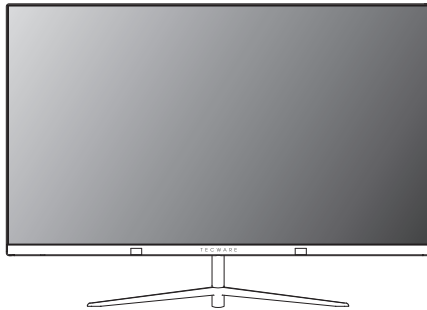


STAND INSTALLATION

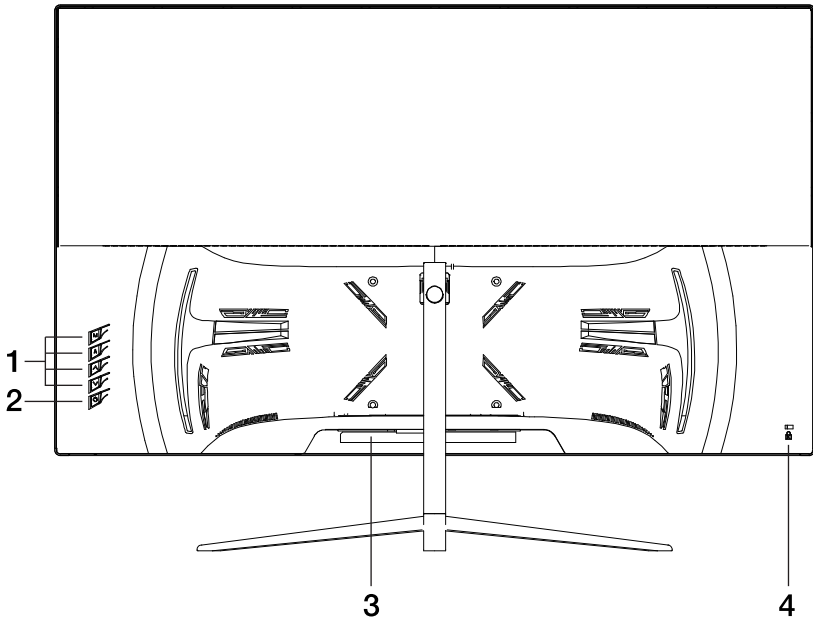
5. Cover the gap on the back of the monitor stand with the stand cover provided. Attach the stand pad to the bottom of the stand base as shown in the picture.



6. Gently lift your monitor to an upright position.

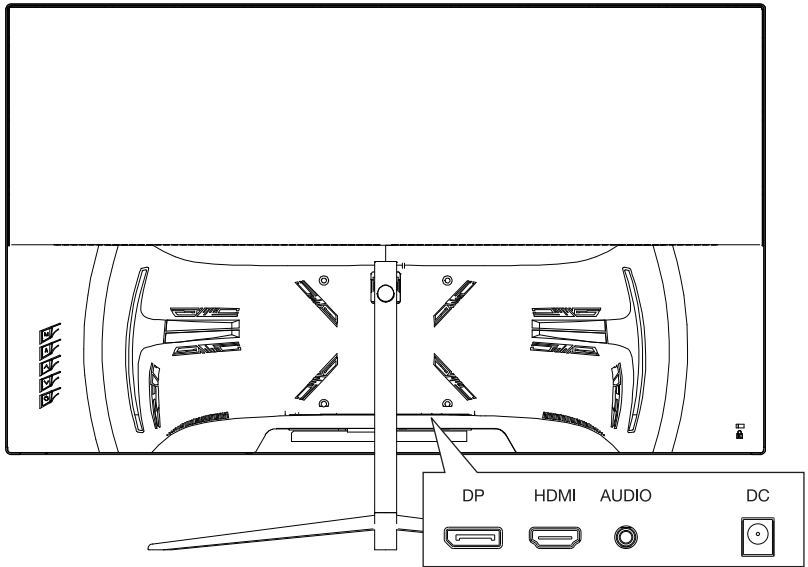





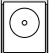
PRODUCT OVERVIEW



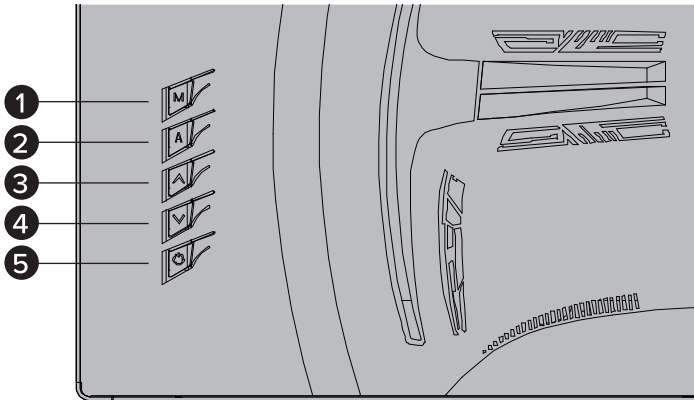
1. Control buttons
2. Power button
3. Input and output ports
4. Anti-theft lock

CONNECTIVITY OPTIONS



Port	Description
 DP	Connects to a source device using a DP cable.
 HDMI	Connects to a source device using a HDMI cable or HDMI-DVI cable.
 AUDIO	Connect to an audio output device such as headphones.
 DC	Connects to the DC power adapter.

CONTROL BUTTONS

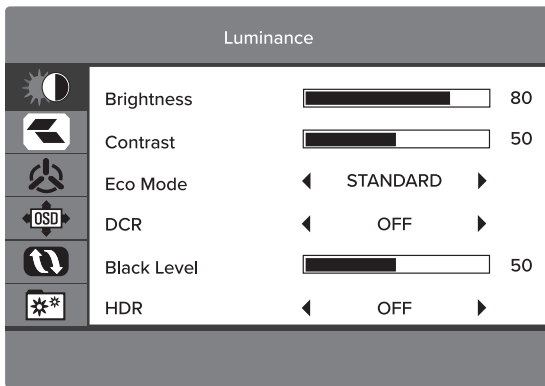


No.	Function
1	<ul style="list-style-type: none">• Activates the main menu• Enters sub menus• Select menu items
2	<ul style="list-style-type: none">• Activates display input menu• Cycle display input channel• Cycle on-screen crosshair• Returns to the previous menu (in OSD menu)• Exits OSD menu
3	<ul style="list-style-type: none">• Activates on-screen crosshair• Up/Increase adjustment
4	<ul style="list-style-type: none">• Activates brightness adjustment menu• Down/Decrease adjustment
5	<ul style="list-style-type: none">• Powers on/off the monitor

ON-SCREEN DISPLAY (OSD)

The On-Screen Display (OSD) Menu may be used to adjust your monitor's settings and appears on screen after turning on the monitor and pressing the **M** button.

1. Press **M** to enter the OSD screen.



2. Press **▲** or **▼** to browse functions.
 - Highlight the desired function and then press **M** to enter the sub-menu.
 - Press **▲** or **▼** to browse sub-menus then press **M** to highlight the desired function.
 - Press **▲** or **▼** to adjust an option and then press **M** to confirm the settings and return to the previous sub-menu.
3. Press **▲** to return to the OSD screen.

OSD MENU FUNCTIONS

Main Menu	Sub-Menu	Options	Description
Luminance	Brightness	0~100	Adjust display brightness
	Contrast	0~100	Adjust display contrast
	Eco Mode	Standard, Movie, Game, Internet	Set visual mode
	DCR	Off/On	Turn on/off DCR function
	Black Level	0~100	Adjust black level
	HDR Mode	Off/On	Turn on/off HDR function
Image Setup	H.Position	Setting Locked	Adjust horizontal position of the picture of source.
	V.Position	Setting Locked	Adjust vertical position of the picture of source.
	Clock	Setting Locked	Adjust picture clock to reduce the vertical line noise.
	Phase	Setting Locked	Adjust picture phase to reduce the level of noise.
	Image Ratio	Wide, 4:3	Set aspect ratio
Color Setup	Color Temp.	User, Cool, Normal, Warm	Adjust color temperature
	Red	0~100	Customize RGB components
	Green	0~100	
	Blue	0~100	
	Low Blue Mode	Off, Weak, Medium, Strong	Set the blue light filtering level

OSD MENU FUNCTIONS

Main Menu	Sub-Menu	Options	Description
OSD Setting	Language	English, Türkçe, 日本語, 简体中文, 繁体中文, 한국, Русский, Čeština, Polski, Suomi, Svenska, Nederlands, Italiano, Deutsch, Português, Español, Français	Set OSD language
	OSD H.POS.	0~100	Adjust the OSD horizontal position
	OSD V.POS.	0~100	Adjust the OSD vertical position
	OSD Timer	5~120	Adjust how long the OSD remains open after non-use
	Transparency	0~100	Set the OSD overall transparency
Reset	Auto Config	Setting Locked	N/A
	Auto Color	Setting Locked	N/A
	Reset	N/A	Reset monitor configurations to default
Extra	Input Select	HDMI, DP	Change the input source
	Mute	Off/On	Mute outgoing audio
	Volume	0~100	Adjust audio volume
	Freesync	Setting Locked	N/A
	Light Effect	Off/On	Turn the monitor LED back light on/off

SPECIFICATIONS

Item	Detail
Product Name	PRIME F2716IF IPS Gaming Monitor
Model Number	TWMO-PRF2716IF-B
Screen Size	27" / 69 cm
Curvature	Flat
Viewing Angle	178°
Aspect Ratio	16:9
Resolution	DP 1.2: 1920x1080@165Hz HDMI 1.4: 1920x1080@120Hz
Backlight	LED
Brightness	250 cd/m ²
Contrast Ratio	1000:1
Response Time	1ms
Refresh Rate	165Hz
Ports	DP 1.2 x 1, HDMI 1.4 x 1, USB x 1, Audio x 1
Power	DC 12V --- 2.6A / 32W
VESA Compatibility	100x100mm
Dimension (W x D x H)	601.6 x 200 x 371.7mm
Weight	5.0kg (Net) / 5.3kg (Gross)
Low Blue Light	Yes
Flicker-free	Yes
Zero Bezel Design	Yes
High Dynamic Range	Yes



www.tecware.co